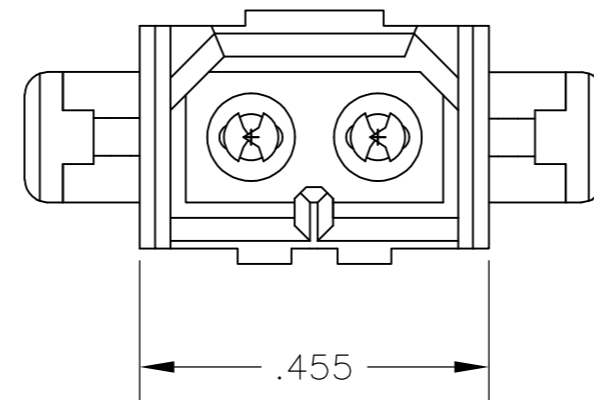
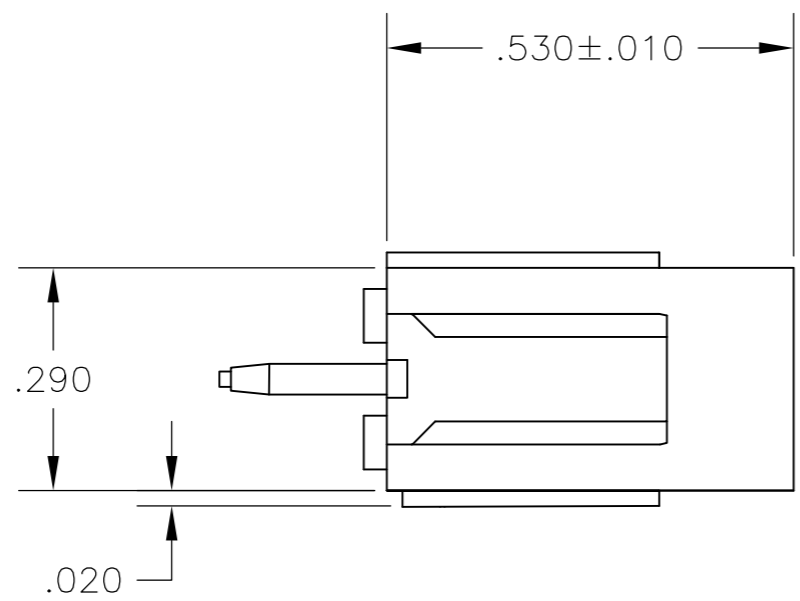
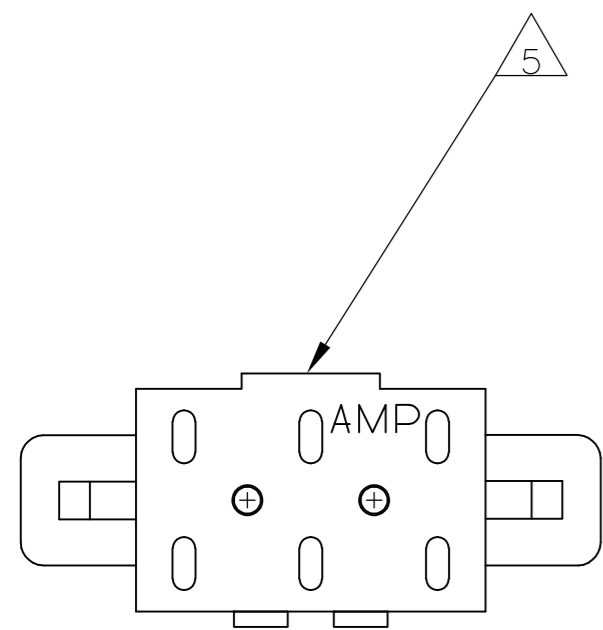


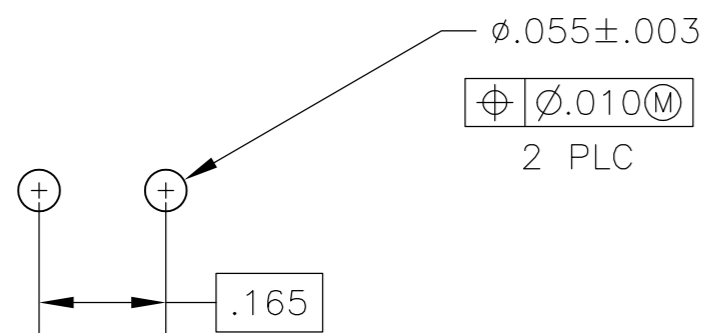
THIS DRAWING IS UNPUBLISHED. RELEASED FOR PUBLICATION  
 © COPYRIGHT - By - ALL RIGHTS RESERVED.

LOC		DIST		REVISIONS			
P	LTR	DESCRIPTION		DATE	DWN	APVD	
CM	0	P1	REVISED PER ECO-11-004917	11MAR11	RK	HMR	

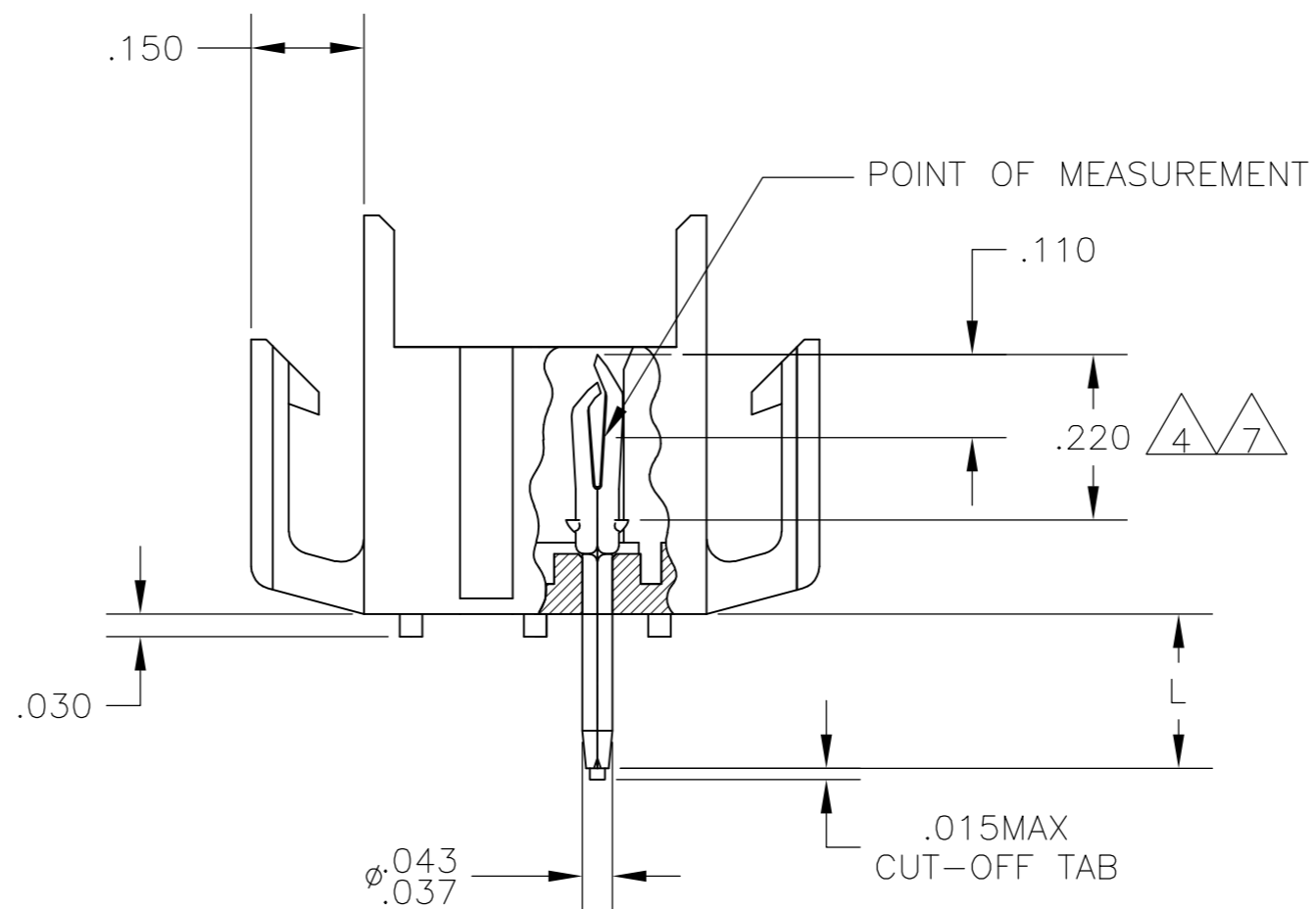
ANTI SOLDER WICKING TAB



- FITS SOCKET HOUSING 640517.
- ASSEMBLY CONFORMS TO AMP SOLDERABILITY SPEC. 109-11-3.
- FOR USE WITH .063 THICK P.C. BOARD.
- CONTACT IS PLATED OVERALL WITH .000050 NICKEL, THEN .000030 GOLD OVER CONTACT LENGTH INDICATED AND .000150 MATTE TIN-LEAD ON SOLDER TAIL END.
- UL AND CSA LOGO LOCATED ON THIS SURFACE.
- FOR USE WITH .120 THICK P.C. BOARD.
- CONTACT IS PLATED OVERALL WITH .000050 NICKEL, THEN .000030 GOLD OVER CONTACT LENGTH INDICATED AND .000150 MATTE TIN ON SOLDER TAIL END.



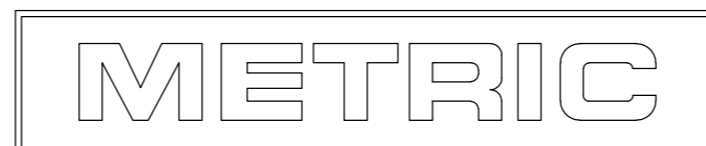
RECOMMENDED P.C. BOARD LAYOUT



IN	MM	IN	MM
.043	1.09	.530	13.46
.037	0.94	.455	11.56
.030	0.76	.290	7.37
.020	0.51	.220	5.59
.015	0.38	.210	5.33
.010	0.25	.165	4.19
.008	0.20	.150	3.81
.005	0.13	.110	2.79
.003	0.08	.063	1.60
.000050	0.00127	.055	1.40

CONVERSION TABLE

.210	6	BRICK RED	GOLD	7	2-640497-4
.150	3	BRICK RED	GOLD	7	2-640497-2
.210	6	BRICK RED	GOLD	4	640497-4
.210	6	BRICK RED	PRE-TIN		640497-3
.150	3	BRICK RED	GOLD	4	640497-2
.150	3	BRICK RED	PRE-TIN		640497-1
"L" +.010 -.020		HOUSING COLOR	PIN FINISH		PART NUMBER



THIS DRAWING IS A CONTROLLED DOCUMENT.

DWN: J. HUFFMAN 27APR98  
 CHK: R. SWING 27APR98  
 APVD: T. BEDDICK 27APR98

TE Connectivity

NAME: HEADER ASSEMBLY, PIN, 2 POSITION, MR.

SIZE: A2 CAGE CODE: 00779 DRAWING NO: 640497 RESTRICTED TO: -

WEIGHT: - SCALE: 4:1 SHEET: 1 of 1 REV: P1

MATERIAL: HOUSING: FLAME RETARDANT NYLON UL 94V-0 PIN: .008 PH. BRZ. FINISH: SEE TABLE

TOLERANCES UNLESS OTHERWISE SPECIFIED:  
 0 PLC ± -  
 1 PLC ± -  
 2 PLC ± -  
 3 PLC ± .005  
 4 PLC ± -  
 ANGLES ± 0°30'

CUSTOMER DRAWING